

AMH

A M H Designs Ltd

8-9 Rodney Rd
Portsmouth
Hants PO4 8BF

TEL:-023 9283 0360

FAX:-023 9283 0361

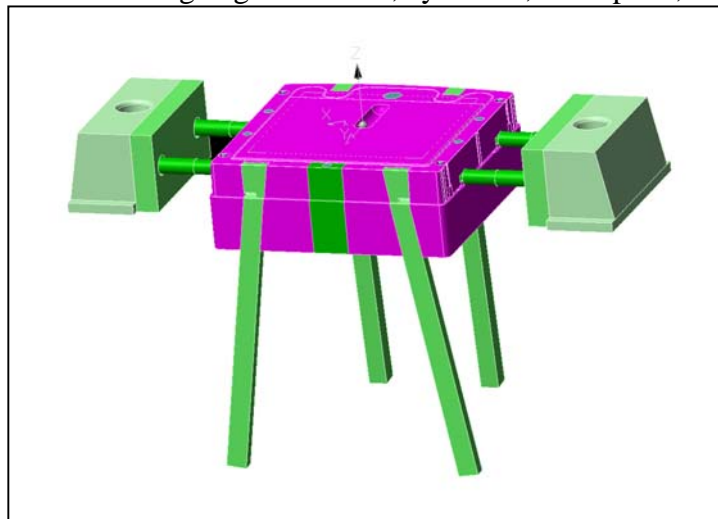
E-Mail:- INFO@AMHDESIGNS.CO.UK

AMH Designs is a sub-contract tool design, component design and CAD-CAM company. Started in 1999 by Tony Mills and Malcolm Haxell, since then we have done design work for many companies in many types of industries.

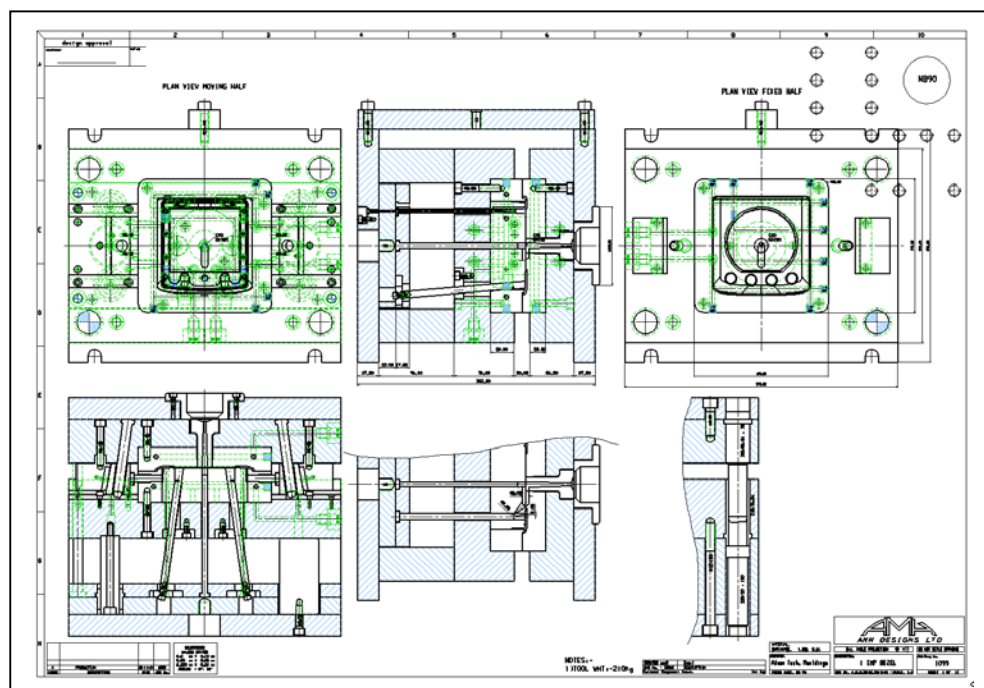
We are equipped with Cad seats of Visi-Cad, Softech and Prospector Cad-Cam to produce designs for all types of mould tools including angled movers, cylinders, three plate, unscrewing, two-shot, etc.

All our tool designs are done In 3D solid modelling initially. These solid parts are then used To produce views and sections For producing the GA and detail Tool drawings. 3D files can be supplied in several formats including Iges, Parasolid, Stl.

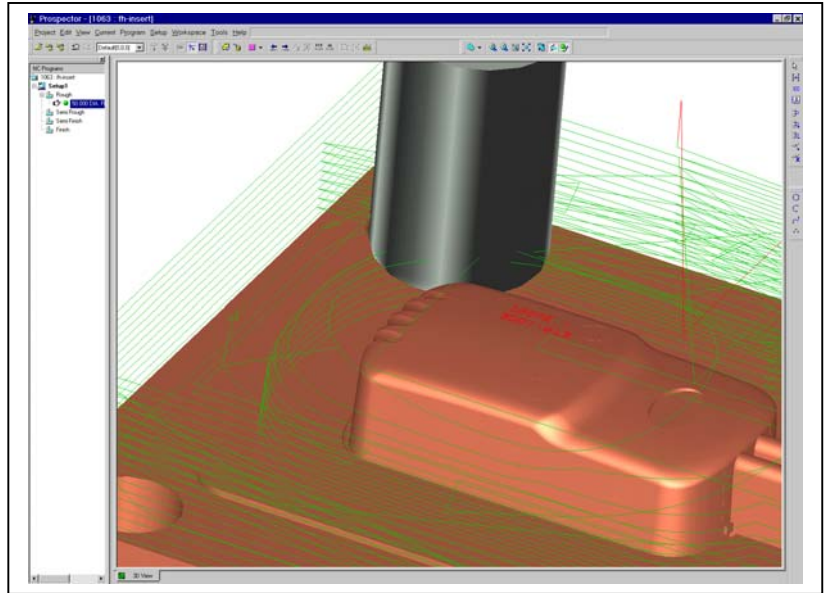
All 3d files are supplied as part of the tool design cost to facilitate CAD CAM m/cing.



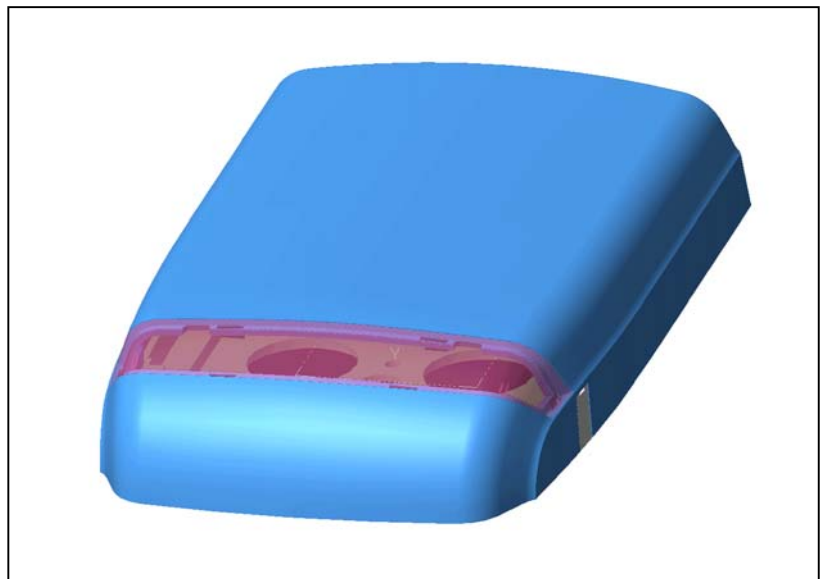
2D drawings can be supplied in DXF, DWG, Iges and Plt formats



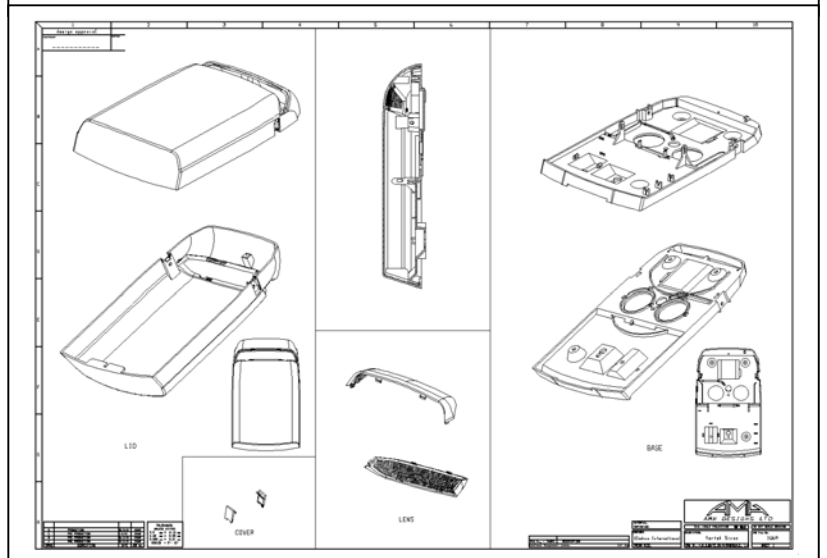
We can also produce surface files for production of electrodes.
We also have Cam software for CNC programming of 2D and 3D form.



AMH Designs also provide a Component design service
We can work from scratch
With your engineers to produce Part files, or work from existing Drawings.



We can provide component
And assembly drawings taken
Directly from the 3D parts.

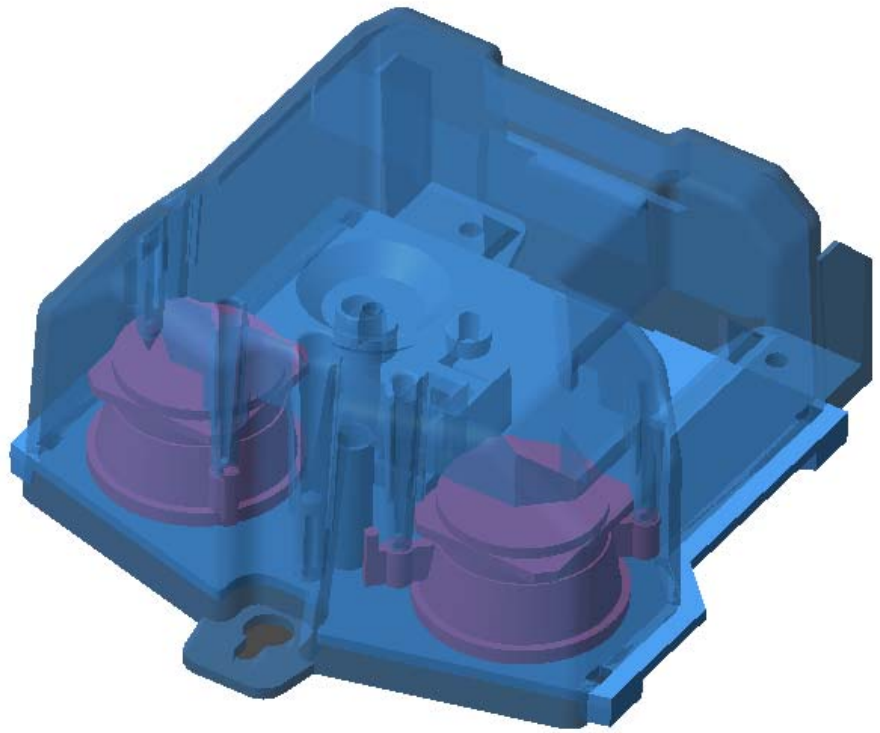


Please contact us for a quote for any of these services
Tel:- 032 9283 0360 Fax:-023 9283 0361
E- Mail INFO@AMHDESIGNS.CO.UK

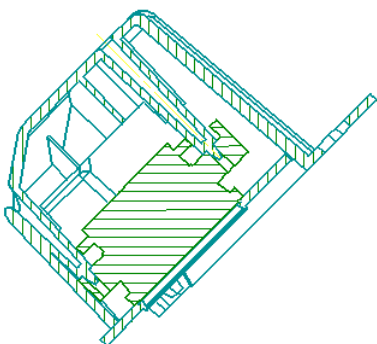
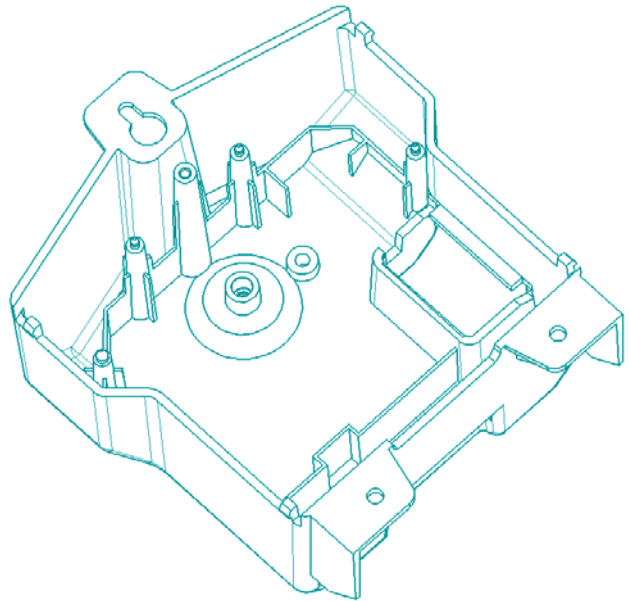
If you wish to find us go to WWW.MULTIMAP.COM and enter our post code PO4 8BF

Security alarm box Project

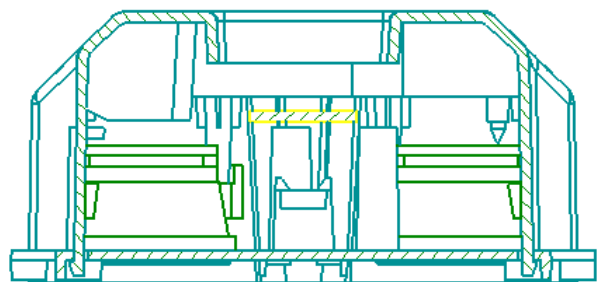
Secure box for housing electronics and speaker with anti tamper features
Box is secured together with a combination of snap connectors and screws.
Designed to prevent the ingress of water.



Box is shown semi transparent
To show the interior detail



Sect. C-C



Sect. A-A